



EKSELANS BY ITS

RFID CARD ACCESS CONTROL SYSTEM



ENTER THE EK WORLD



ACCESS CONTROL

REFERENCE		CCA
Code		370001
Maximum number of users		<1000
Transmission protocol reader-controller		Wiegand
Working voltage / Nominal		
AC	V (rms)	12~30 / (24)
DC	Vdc	9~24 / (12)
Consumption (Standby /Maximum)		
AC	mA (rms)	115 / 170
DC	mA	60 / 80
Lock maximum consumption	A	2
Maximum distance IR sensor - Keyboard	m	<10
Working temperature	°C	-40 ~ 60
Working condition humidity	% Hum	0 ~ 90
Dimensions	mm	90 x 63 x 22

CCA

- √ Controller CCA may be fed with a wide range of AC or DC voltage
- √ Compatible with various types of lock (AC / DC)
- √ Anti-vandal and water resistant card reader LCA (IP66). Fed from controller
- √ Adjustable opening time (1-99s)
- √ Expandable system through other controllers (door access)
- √ Manual or remote programming (Through remote control)
- √ Compatible with existing installations
- √ μSD backup (included) (Only CCA+)
- √ ≤5000 cards UID (Only CCA+)



ACCESS CONTROL

REFERENCE		CCA+
Code		370005
Maximum number of users		<5000
Transmission protocol reader-control unit		Wiegand
Working voltage		
AC	V (rms)	11-28
DC	Vdc	11-36
Consumption (Standby/Maximum)		
AC	mA (rms)	115 / 170
DC	mA	60 / 80
Lock maximum consumption	A	2
Lock maximum consumption (IN-OUT)	mA	100
Maximum distance IR sensor-Keyboard	m	<10
Working temperature	°C	-40 ~ 60
Working humidity conditions	% Hum	0 ~ 90
Dimensions	mm	110 x 50 x 22

CCA+

- ✓ Control unit may be fed with a wide range of AC or DC voltage
- ✓ Compatible with several types of lock (AC/DC)
- ✓ Anti-vandal card reader and
- ✓ waterproof (IP66). Powered from control unit.
- ✓ Adjustable opening time (1-99s)
- ✓ Expandable system
- ✓ Manual programming
- ✓ Compatible with existing installations/locks
- ✓ μ SD backup (included)
- ✓ \leq 5000 cards UID



ACCESS CONTROL

LCA

REFERENCE		LCA
Code		370002
Card type		Mifare
Frequency	MHz	13,56
Reading range	cm	3
Output protocol		Wiegand 34b
Mains voltage	Vdc	9~24
Consumption (Standby)	mA	25
Protection index		IP66
Working temperature	°C	-40 ~ 60
Dimensions	mm	103 x 48 x 19

- √ Controller CCA may be fed with a wide range of AC or DC voltage
- √ Compatible with various types of lock (AC / DC)
- √ Anti-vandal and water resistant card reader LCA (IP66). Fed from controller
- √ Adjustable opening time (1-99s)
- √ Expandable system through other controllers (door access)
- √ Manual or remote programming (Through remote control)
- √ Compatible with existing installations



ACCESS CONTROL

REFERENCE		VICD-30-12
Code		13/19500
Input voltage	Vac / Hz	85~264 / 47~63
Output voltage	Vdc	12
Output current	A	2
Working temperature	°C	-40~60
Working condition humidity	% Hum	20~90%
Dimensions	mm	78 x 93 x 56

REFERENCE		RF KEY
Code		371001
Frequency	MHz	13,56
Technology		Mifare
Packaging	PCS	5

VICD-30-12

- √ Protection against short circuit, overvoltage and overload
- √ Optional DIN rail mounting
- √ Operation Led indicator



RF KEY

- √ Working frequency: 13.56MHz
- √ 5 PCS supply



ACCESS CONTROL

LCA MINI + SCA LCA

REFERENCE		LCA MINI
Code		370019
IP Rate		IP66
Operating frequency	MHz	13.56
Type readable cards		Mifare
Range of card reading	cm	2-6
Protocol for connection to the controller		Wiegand 26 o 34 bits de salida
Power supply	Vdc	9 - 18
Current consumption	mA	35
Light indication		LED rojo
Housing material		Poliamida
Unit Weight	g	18
Dimensions	mm	25 x 22
Diameter		19,5

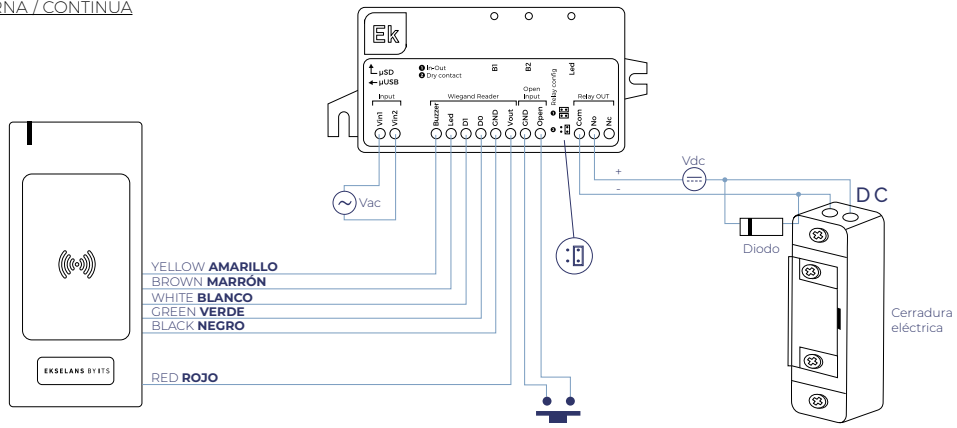
REFERENCE		S LCA
Code		370020
Housing material		ZamaK
Weight	g	38
Dimensions	mm	45,8 x 22
Diameter	mm	45,8

- ✓ Mini RFID card reader type Mifare (13,56 MHz)
- ✓ Power supply from the controller unit
- ✓ Dimensions 45 x 25mm
- ✓ S LCA mounting bracket available as accessory
- ✓ Compatible with CCA and CCA+ controllers
- ✓ Configurable, Wiegand 26 or Wiegand 34

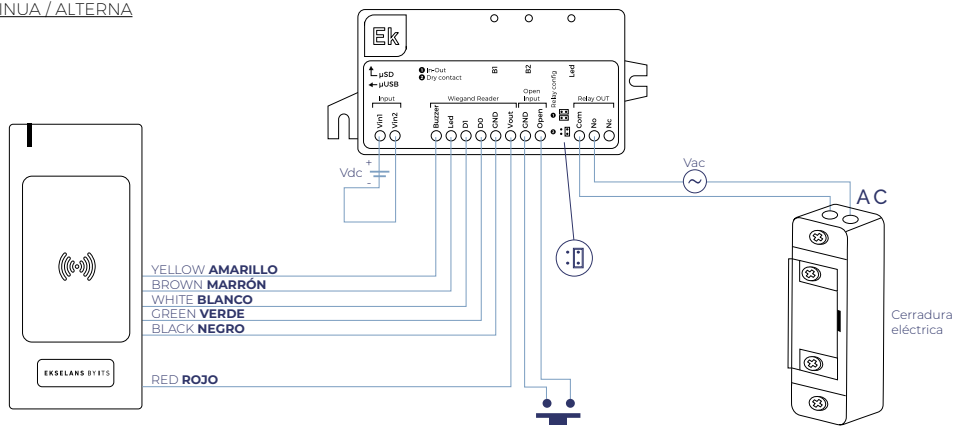


LCA MINI application

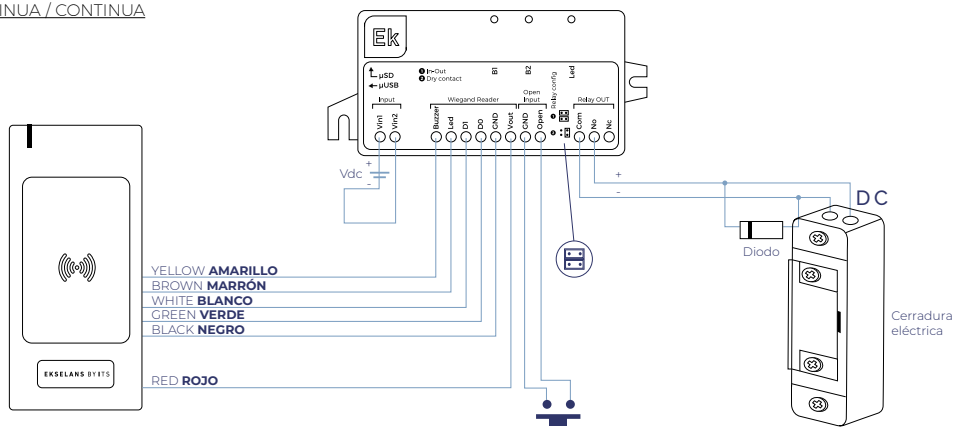
ALterna / CONTINUA



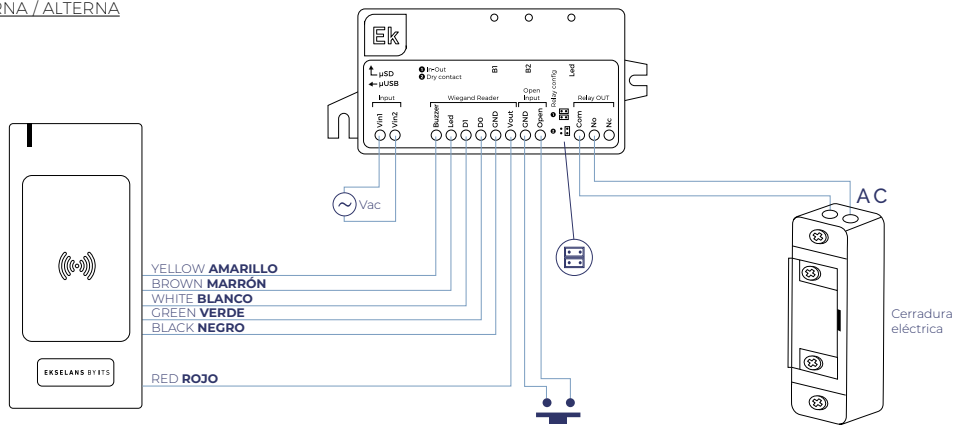
CONTINUA / ALterna



CONTINUA / CONTINUA

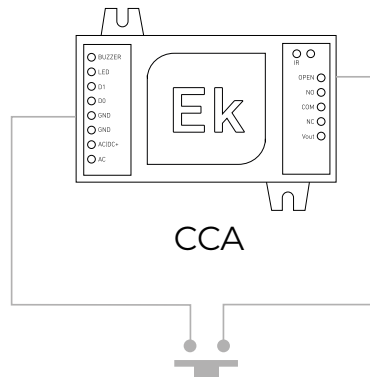
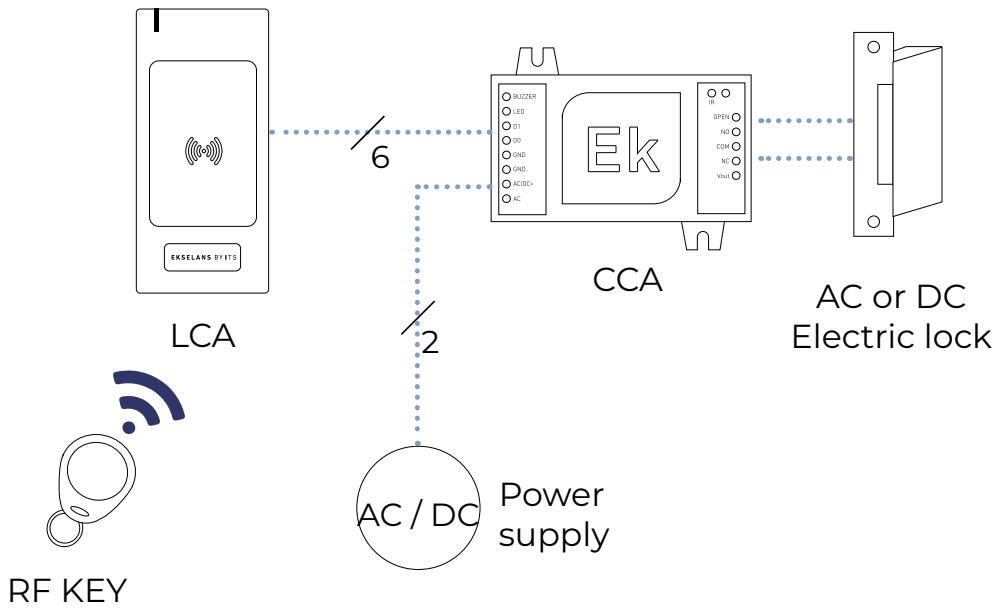


ALterna / ALterna





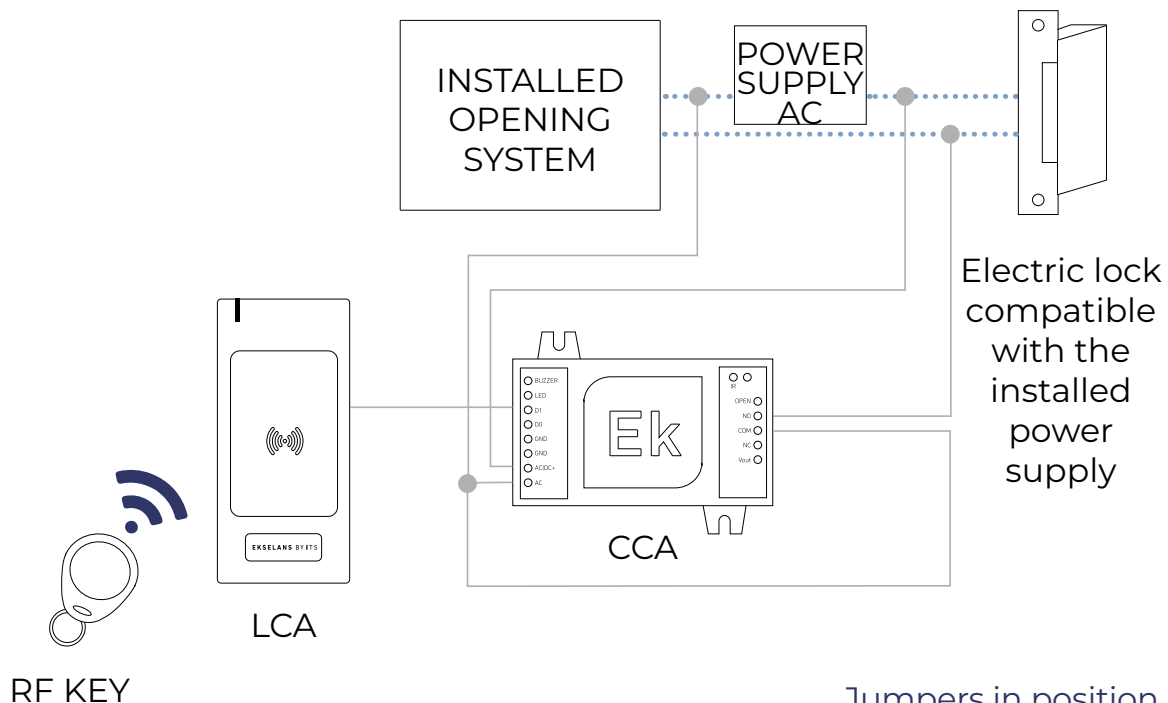
Wide range of input power.
Facilitates installation with existing systems:
Vac 12 ~ 30 / Vdc 9 ~ 24



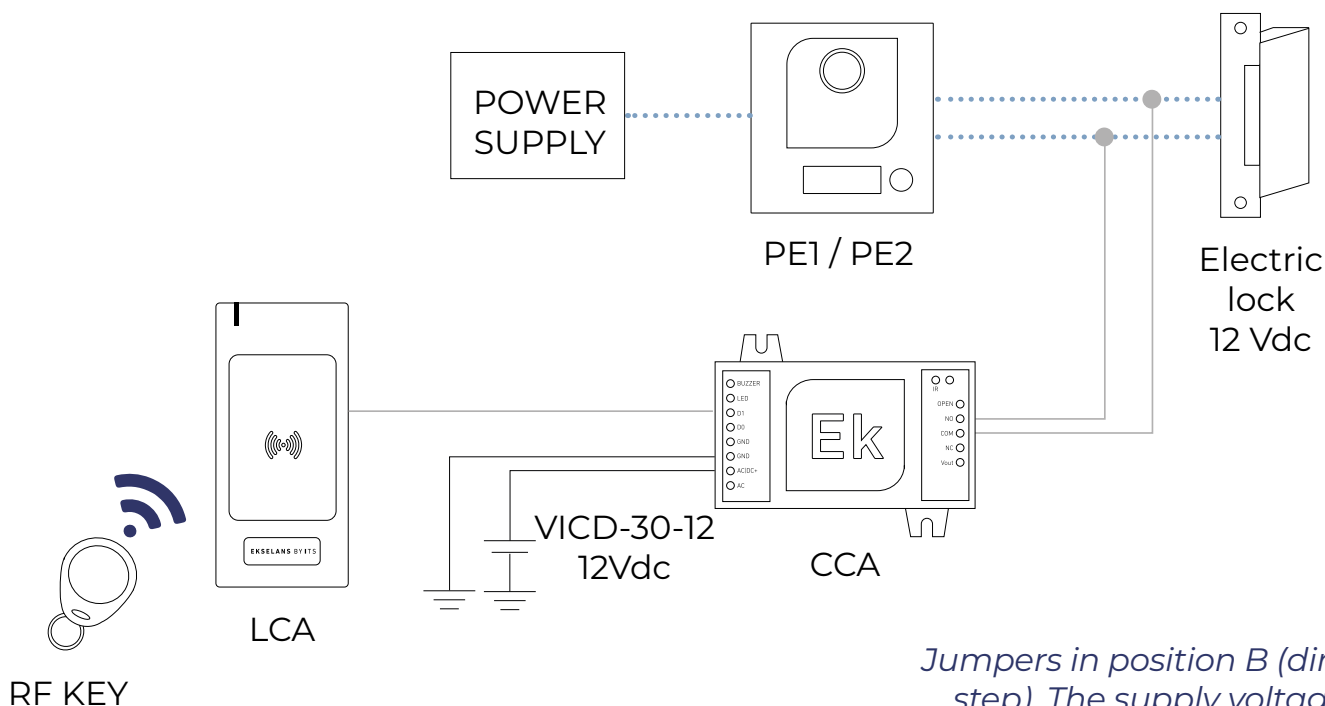
*Compatible with external push button.
With this connection it is possible to
open the door from the inside.*

Compatible with existing installations.

2 types of configurable connection according to the type of lock



Jumpers in position A (dry contact). The source of the lock feeds it and also feeds the controller itself.



Jumpers in position B (direct step). The supply voltage passes to the output.



EKSELANS BY ITS

EKSELANS by ITS

ITS Partner O.B.S. S.L

Av. Cerdanyola 79-81 Local C

08172 Sant Cugat del Vallès

Barcelona (España)

Tel: +34 93 583 95 43

info@ek.plus