



EKSELANS BY ITS

2024
VERSION

HOTSPOT BY EK

PROFESSIONAL
CAPTIVE PORTAL
AND WIFI NETWORK
AUDIT



ENTER THE EK WORLD



PROFESSIONAL CAPTIVE PORTAL AND WIFI NETWORK AUDIT

The professional Ekselans by ITS HotSpot has been designed for installation in business and hotel environments, as well as in any public WiFi network where user authentication and activity registration are required.

Through a simple configuration, the installer is able to define all the necessary parameters to offer various methods of accreditation in WiFi networks (direct registration, email with verification check, tickets with pre-defined passwords, social networks, ...). Likewise, the system allows to define user profiles for assignment of times and connection speed.

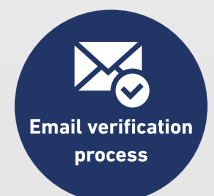
In addition to the captive portal, the HotSpot by EK offers a powerful network audit system that allows analyzing internet consumption statistics by connection and user, as well as registering and storing the activity of the different users connected to the WiFi network (device identification, visited domains, connection times, ...), all in strict compliance with the new regulation

Captive portal

- Simple configuration of the welcome page
- Various access systems: direct registration, tickets with personalized passwords, social networks (Facebook)
- Possibility of defining fields for the access form (name, nationality, room, email, ...)
- Access functionality with email verification system
- Definition of bandwidth and maximum connection time per session
- Creation of websites whitelists
- Possibility of connection to ticket printer for passwords

Network audit and activity registration

- Activity log of users connected to the WiFi network
- Internal storage of important information such as devices MAC addresses, visited domains, connection times to each domain,...
- Usage statistics of internet resources per user
- Possibility of defining an external cloud back-up (Dropbox, Google Drive, ...)

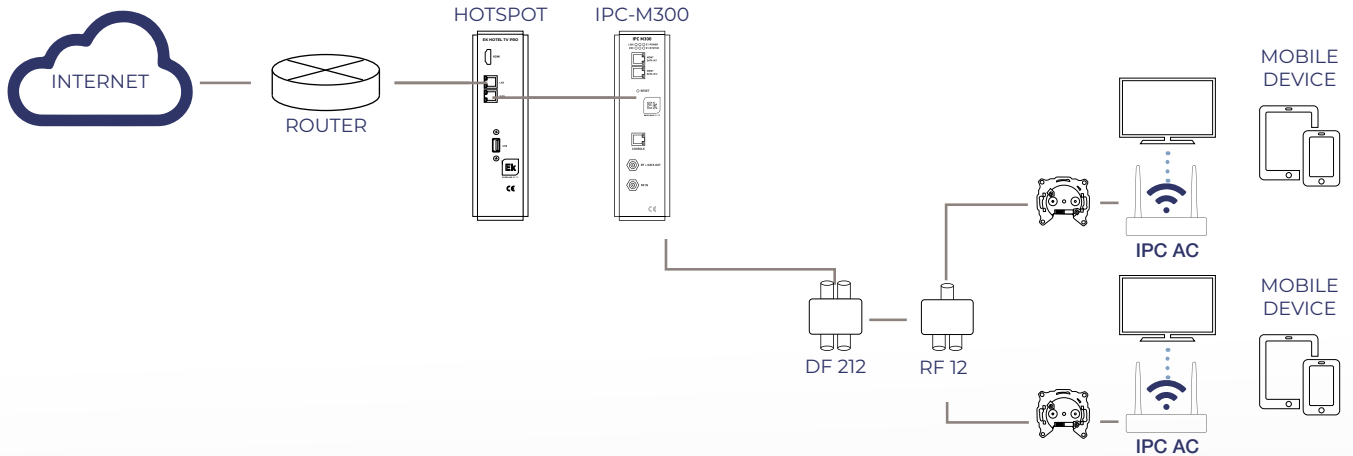




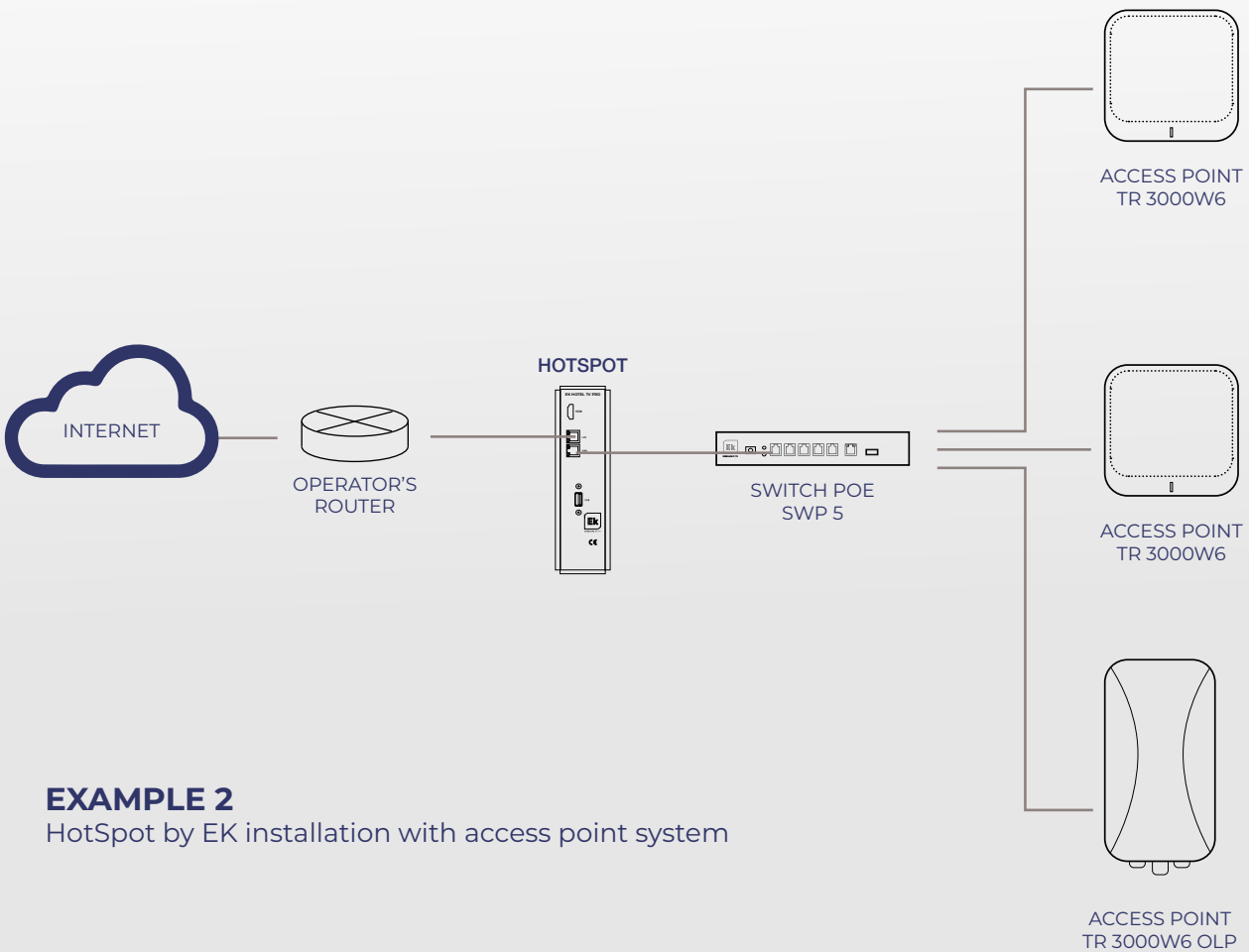
HOTSPOT by EK

REFERENCE		CM HS
Code		280024
Hardware		
Ethernet interface	Mbps	Uplink 1 x 10 / 100 / 1000 RJ45 LAN 1 x 10 / 100 / 1000 RJ45
HDMI interface		1 x HDMI 1080p
USB interface		1 x USB 3.0
Serial port interface		120 GB SSD
Storage capacity	V/A	DC5 / 2.5
Power supply		FA 55 (082010) plug-in power supply FA 524 (082009) Compatible modular power supply with CM Header FA 510 (082036) modular power supply
General		
Working temperature	°C	-20 / 45
Consumption	W	Max. 12
Software		
Programming		Interfaz Web
Assign users and access		- Tickets - Login and password - Direct register - Social networks
Bandwidth limitation		Yes
Creation of different type of users		Customer profiles
DHCP server		Yes
System capacity		More than 400 simultaneous users / No limit of registered users
Activity log		Full audit and registration per user of: - Device MAC address - User name - Assigned IP - Visited domains - Start and end time of each domain visited
Statistics		Activity log / network consumption per user
BackUp		Internal storage of activity logs. Ability to define security storage in the cloud
Dimensions	mm	223 x 56 x 161

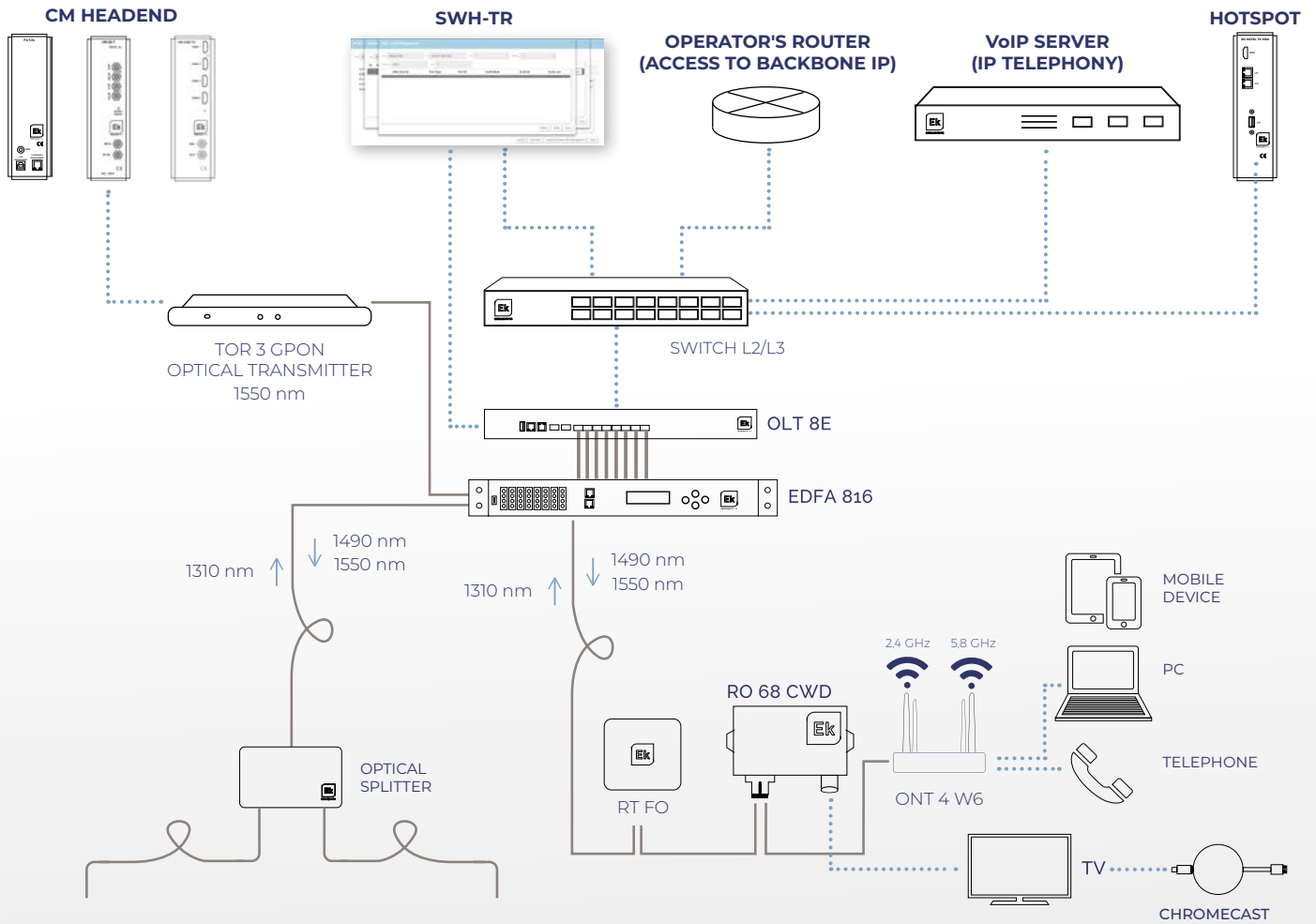
INSTALLATION EXAMPLE



EXAMPLE 1
HotSpot by EK installation with EKOAX system
(internet over coax)



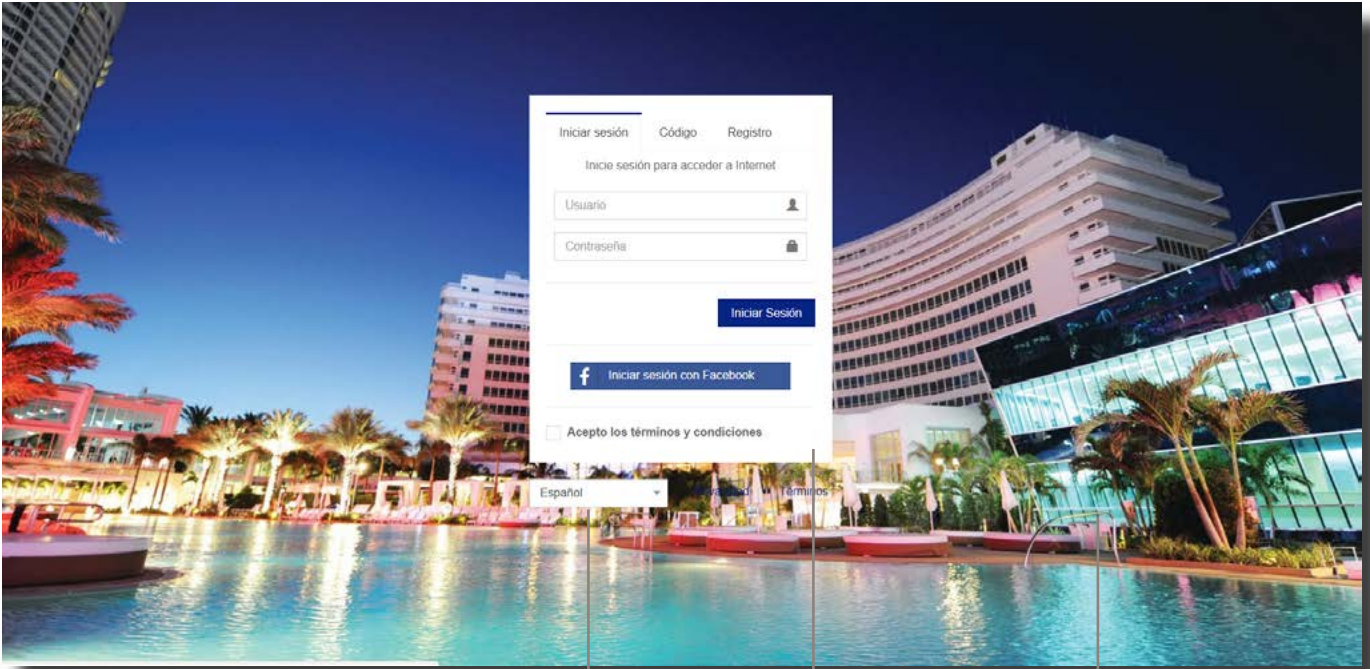
EXAMPLE 2
HotSpot by EK installation with access point system



EXAMPLE 3

GPON network installation with WiFi connection and integrated HotSpot

1. Example of the welcome page (Captive portal)



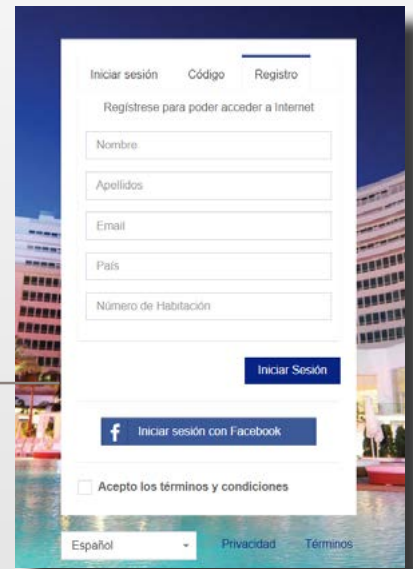
language selection

login form using user and password

customizable background



login using access code (Ticket)



login using user registration (customizable fields)

2. HotSpot manager. Captive portal internal configuration page

The screenshot shows the 'Main Configuration' page in the HotspotManager interface. The page is divided into several sections:

- Status:** A green bar indicates 'Hotspot Running'. There are buttons for 'Stop Hotspot', 'Reboot System', and 'Shutdown System'.
- Network Configuration:** This section is split into 'Main Network' and 'Hotspot Network'.

Main Network		Hotspot Network	
Mode: Manual	Netmask: 255.255.0.0	Network: 10.1.0.0	Netmask: 255.255.255.0
Network: 192.168.0.5	IP Address: 192.168.0.244	IP Address: 10.1.0.1	
Gateway: 192.168.0.5	Secondary DNS Server:	Address Pool Start for DHCP:	Address Pool End for DHCP:
Main DNS Server: 8.8.8.8		Main DNS Server: 208.67.222.222	Secondary DNS Server: 208.67.220.220
- Main Configuration:** This section contains various settings:
 - Hotspot Name:** 'Hotspot by EK'
 - Idle Session Timeout (sec):** '300'
 - Default Language:** 'Español'
 - Use Hotspot Url:**
 - Look and Feel:**
 - Main Color:** '#072584'
 - Show Name:**
 - Show Logo:**
 - Show Background Image:**
 - Show Prelogin Page:**
 - Access Mode:**
 - Access with User and Password:**
 - Access with Ticket:**
 - Access with Facebook:** (Facebook Application Id: [input])
 - Access with registration:**
 - Registration Configuration:**
 - Basic Registration:**
 - Verified Registration (E-mail):**

3. HotSpot manager. Creation of user profiles

The screenshot shows the 'Profiles' page in the HotspotManager interface. It displays a table of user profiles:

Id	Name	Duration (sec)	Max Upload Bandwidth	Max Download Bandwidth	Max Traffic	Start Date	End Date
1	Basico	-	2 Kbit/s	2 Kbit/s	1 GB	2018-02-22 00:00:00	2018-05-30 00:00:00
2	Avanzado	-	10 Mbit/s	10 Mbit/s	10 GB	2018-03-23 00:00:00	2018-05-01 00:00:00
3	VIP	-	5 Mbit/s	5 Mbit/s	20 GB	2018-04-27 00:00:00	2018-04-27 00:00:00

At the bottom of the page, there is a copyright notice: 'Copyright © 2017 ITS Partner (O.B.S) S.L. All rights reserved.'

4. Captive portal. Users management

HotspotManager Usuarios

Id	Nombre	Apellidos	Nombre de usuario	E-mail	Ticket	Perfil
9	victor	abrata	abrata	victor.abrata@gmail.com	8882944524	Avanzado
10	Autogenerated User					
11	kaka	vaca	kaka7090	amelendez@bc-techs.com	3187856235	Basico
12	1234	kaka	12342338		8153643895	Basico
13	43ret	wertwer	43ret1028		0335127049	Basico
14	lol	lol123	lol6741	victor.abrata@gmail.com	6821372037	Basico
15	lol123456	kakaka	lol1234562880	victor.abrata@its-partner.com	9787074312	Basico
16	lol12344543	jjj	lol123445430597	victor.abrata@paco.com	0799140197	Basico
17	Victor	Abrata	Victor5432	victor.abrata@gmail.com	7706910753	Basico
18	Autogenerated User					
19	Autogenerated User					
20	Autogenerated User					
21	Autogenerated User					
22	Autogenerated User					

Formulario de Detalles:

- Dirección:
- Pais:
- Telefono:
- Número de Habitación:
- nacionalidad:
- Desayuno:
- Información Adicional:

5. Network audit. Statistical analysis of network consumption

HotspotManager Status

Historic

Zoom Reset Clear Graph

Connected Users

Id	Username	Profile	IP Address	Mac Address	Session Start	Received Bytes	Sent Bytes
9	abrata	Avanzado	10.1.0.2	00-0F-00-45-E3-61	2018-05-09 09:21:28	78.8 KB	33.9 KB

6. Network audit. Statistical analysis of network consumption filtered by user.

Ek HotspotManager admin English

MANAGEMENT

- Users

HOTSPOT

- Main Configuration
- Profiles
- Users
- Status
- Statistics
- Generate Statistics Report
- Manage Database Backups

Statistics

Statistics Filter

Date: 2018-05-07 00:00:00 - 2018-05-09 09:23:00

Uri: ALL

Username: ALL Profiles: ALL IP Address: ALL Mac Address: ALL

Set Filter Clear Filter

Username	Profile	IP Address	Mac Address	Session Start	Session Stop	Received Bytes	Sent Bytes
abrate	Avanzado	10.1.0.2	00-0F-00-45-E3-81	2018-05-09 09:21:28	-	78.8 KB	33.9 KB

7. Network audit. Users activity log register.

Ek HotspotManager admin Español

ADMINISTRACIÓN

- Usuarios

PUNTO DE ACCESO

- Configuración principal
- Perfiles
- Usuarios
- Estado
- Estadísticas
- Gen. Informe de Estadísticas
- Gestionar Copias de Seguridad

Estadísticas

Filtrar estadísticas

Fecha: 2018-05-07 00:00:00 - 2018-05-09 09:24:00

Uri: Todos

Nombre de usuario: Todos Perfiles: Todos Dirección IP: Todos Dirección Mac: Todos

Establecer Filtro Quitar Filtro

Nombre de usuario	Perfil	Dirección IP	Dirección Mac	Inicio de sesión	Final de sesión	Bytes recibidos	Bytes enviados
abrate	Avanzado	10.1.0.2	00-0F-00-45-E3-81	2018-05-09 09:21:28	-	142.8 KB	49.7 KB

8. Network audit. Access to the log activity files.

Database Backup ×

Filename	Creation Date	S...		
database_backup_2018022409250...	2018-02-24 09:25:01	11.4 KB		
database_backup_2018022509250...	2018-02-25 09:25:01	1.0 KB		
database_backup_2018022609250...	2018-02-26 09:25:00	1.0 KB		
database_backup_2018022709250...	2018-02-27 09:25:00	1.0 KB		



EKSELANS BY ITS

EKSELANS by ITS

ITS Partner O.B.S. S.L

Av. de Cerdanyola 79-81 Local C

08173 Sant Cugat del Vallès

Barcelona (Espanya)

Tel: +34 93 583 95 43

info@ek.plus

www.ek.plus